

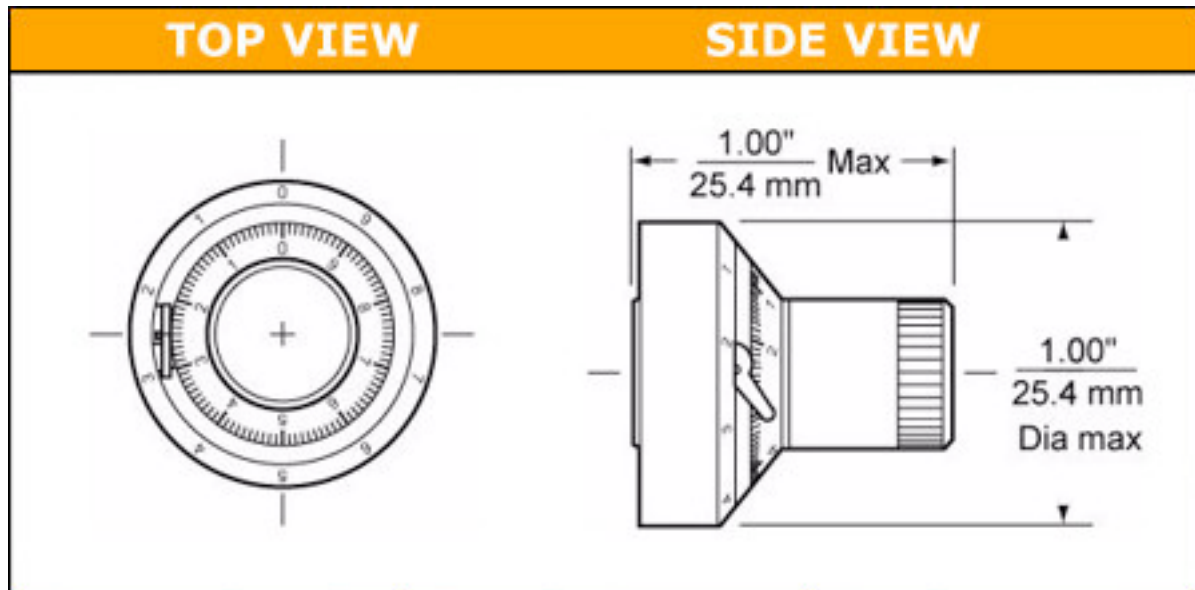
# PRECISION SALES & equipment inc.

PO Box 518  
38 Bishop Hollow Rd.  
Newtown Square, PA 19073 USA

eparts@ix.netcom.com  
(610)359-1002  
FAX (610)353-1674  
[www.precisionales.com](http://www.precisionales.com)

Series 400 -10 turn 1" diameter

Series 500-1 turn 1" diameter



DIAL SHAFT HOLE	POT. SHAFT SIZE	MOUNTING NUT
<b>1/4" - SHAFT</b>	<b>.2500 - +.0000 / .0006</b>	<b>3/8 - 32 NEF2</b>
<b>1/8" - SHAFT</b>	<b>.1250 - +.0000 / -.0006</b>	<b>1/4 - 32 NEF2</b>
<b>3/32" - SHAFT</b>	<b>.0935 - +.0000 / -.0006</b>	<b>1/4 - 32 NEF2</b>

MODEL	COLOR & SHAFT	BRAKE OPTION
400	10 - Black w/ 1/4" Shaft	1 - No Brake
500	20 - Black w/ 1/8" Shaft	2 - Short Lever
600	30 - Black w/ 3/32" Shaft	3 - Long Lever
2500	60 - Clear w/ 1/4" Shaft	
2600	70 - Clear w/ 1/8" Shaft	
	80 - Clear w/ 3/32" Shaft	